



**BUILT
BY HAND,
TO PERFORM
IN YOURS**



NOTHING IS MORE IMPORTANT THAN SAFETY AND SECURITY



➤ **VALTRO** AIMS TO IMPROVE
LARGE-SCALE GUNS BY
INSERTING TESTED **TECHNOLOGIES**
AND **HIGH-PERFORMANCE MATERIALS**,
INCREASING THE VALUE
OF THE INITIAL PROJECT
BUT ALSO **THE QUALITY**,
THE **RELIABILITY**,
AND THE **LOOK**.





PRECISION-BUILT FOR ACCURACY AND RELIABILITY

Meet the next generation of VALTRO® handguns – the new **PF9 SERIES**, featuring **advanced customization** to accommodate a variety of shooters. The enhanced **grip texture** and **improved trigger enable sure and accurate shooting**. The low barrel bore axis and 11° grip angle provides a **natural point-of-aim**.



STEEL FRONT SIGHT



BUTTONED RIFLED BARREL

Traditional rifled profile to improve shooting experience with ordinary and cast bullets.



ALUMINIUM MAGAZINE CATCH



ERGONOMICS

11° grip angle (the same of 1911) for **natural point of aim** and **optimal hand fit**.



STEEL REAR SIGHT

OPTIC READY

One of the hottest trend is in the shooting world are using **Red Dot Optics**.

Shooters have quickly adopted this combination as one of the best ways to **shoot faster** and **more accurately**.

ALUMINIUM SLIDE COVER PLATE

ALUMINIUM COMPETITION TRIGGER

Optimal crisp trigger with lighter trigger pull and **tactile audible reset**.

ALUMINIUM MAGAZINE FLOOR PLATE



CHOOSE YOUR WEAPON

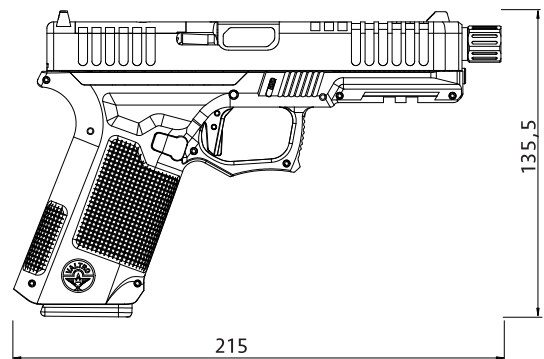
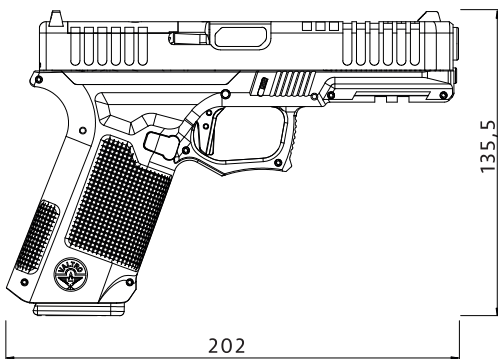
MODEL	GRIP POLYMER BLACK	GRIP POLYMER GREEN	GRIP POLYMER TAN	GRIP POLYMER BROWN	GRIP POLYMER GREY	GRIP ALUMINIUM BLACK	GRIP ALUMINIUM SILVER	CHASSY BLACK	CHASSY GOLD TIN	SLIDE BLACK	SLIDE SILVER	BARREL STANDARD BLACK	BARREL STANDARD GOLD TIN	BARREL THREADED BLACK	BARREL THREADED GOLD TIN	COMPETITION TRIGGER	ITEM
PF9 Operator Black	*							*		*							PF001
PF9 Operator Green		*						*		*							PF002
PF9 Operator TAN			*					*		*							PF003
PF9 Operator Brown				*				*		*							PF004
PF9 Operator Grey					*			*		*		*					PF005
PF9 Operator Black TB	*							*		*		*		*			PF006
PF9 Operator Green TB		*						*		*		*		*			PF007
PF9 Operator TAN TB			*					*		*		*		*			PF008
PF9 Operator Brown TB				*				*		*		*		*			PF009
PF9 Operator Grey TB					*			*		*		*		*			PF010
PF9 Operator Black Plus	*							*		*						*	PF011
PF9 Operator Green Plus		*						*		*						*	PF012
PF9 Operator TAN Plus			*					*		*						*	PF013
PF9 Operator Brown Plus				*				*		*						*	PF014
PF9 Operator Grey Plus					*			*		*						*	PF015
PF9 Operator Black TB Plus	*							*		*		*		*		*	PF016
PF9 Operator Green TB Plus		*						*		*		*		*		*	PF017
PF9 Operator TAN TB Plus			*					*		*		*		*		*	PF018
PF9 Operator Brown TB Plus				*				*		*		*		*		*	PF019
PF9 Operator Grey TB Plus					*			*		*		*		*		*	PF020
PF9 Competition Black						*			*	*			*			*	PF021
PF9 Competition Black TB						*			*	*					*	*	PF022
PF9 Competitio Silver							*		*		*		*			*	PF023
PF9 ALU Black						*		*		*		*					PF024
PF9 ALU Black TB						*		*		*		*		*			PF025
PF9 ALU Black Plus						*		*		*		*				*	PF026
PF9 ALU Black Plus						*		*		*		*		*		*	PF027
PX9 Competition Black						*			*	*			*			*	PX001
PX9 Competition silver							*		*		*		*			*	PX002
PX9 Alu Black						*		*		*		*					PX003
PX9 Alu Black/Silver							*	*		*		*					PX004
PX9 Alu Black TB						*		*		*		*		*			PX005
PX9 Alu Black/Silver TB							*	*		*		*		*			PX006
PX9 Alu Black Plus						*		*		*		*				*	PX007
PX9 Alu Black/Silver Plus							*	*		*		*				*	PX008
PX9 Alu Black TB Plus						*		*		*		*		*		*	PX009
PX9 Alu Black/Silver TB Plus							*	*		*		*		*		*	PX010
PC9 Competition Black						*			*	*			*			*	PC001
PC9 Competition silver							*		*		*		*			*	PC002
PC9 Alu Black						*		*		*		*					PX003
PC9 Alu Black/Silver							*	*		*		*					PX004
PC9 Alu Black TB						*		*		*		*		*			PX005
PC9 Alu Black/Silver TB							*	*		*		*		*			PX006
PC9 Alu Black Plus						*		*		*		*				*	PX007
PC9 Alu Black/Silver Plus							*	*		*		*				*	PX008
PC9 Alu Black TB Plus						*		*		*		*		*		*	PX009
PC9 Alu Black/Silver TB Plus							*	*		*		*		*		*	PX010
PF9 Barrel (G17 gen3/4)													*				VA17B
PF9 Barrel (G17 gen3/4)														*			VA17G
PF9 Barrel (G17 gen3/4)															*		VA17TBB
PF9 Barrel (G17 gen3/4)																*	VA17TBB
PC9 Barrel (G19/X gen3/4)													*				VA19B
PC9 Barrel (G19/X gen3/4)														*			VA19G
PC9 Barrel (G19/X gen3/4)															*		VA19TBB
PC9 Barrel (G19/X gen3/4)																*	VA19TBB
PF9 spring guide inox (G17 gen3)																	VA1533
PC/X9 spring guide inox (G19/X gen3)																	VA2457
PF9 recoil spring (G17 gen 3)																	VA1533S
PC9 recoil spring (G19/X gen 3)																	VA2457S
Firing pin safety inox (G17/19/X gen 3/4)																	VA84
Trigger spring (G17/19/X gen 3/4)																	VA350
Improved extractor depressor kit (all model)																	VA3449
Aluminium trigger + trigger bar (all model)																	VA3608
Aluminium trigger black/Red flat																	VA3607
Improved trigger house all model (G17/19 GEN3)																	VA3606
Firing Pin inox all model (G17/19/19X GEN3/4)																	VA49
Firing pin Spring all model (G17/19/19X GEN3/4)																	VA63



PF9POLY | OPERATOR - OPTIC READY



CALIBER	9X19 Luger / 9x21	ROUNDS	17+1
SLIDE	Black Nitrox	WEIGHT	770 gr
BARREL	Black Nitrox 114 mm/127 mm Threaded	WIDTH	32,2
FRAME	Polymer Green/Tan - Black/Grey		

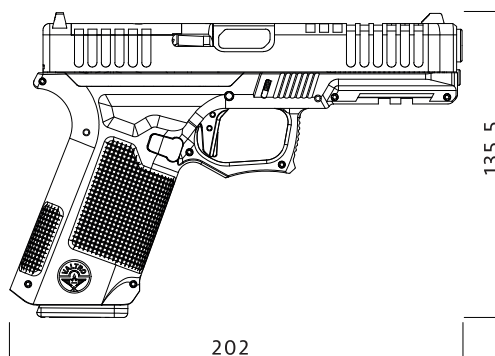




PF9ALU | COMPETITION - OPTIC READY



CALIBER	9X19 Luger / 9x21	ROUNDS	17+1
SLIDE	Silver or black finish	WEIGHT	870 gr
BARREL	114 mm / Gold TIN	WIDTH	32,2
FRAME	Aluminium alloy silver or black finish	COMPETITION TRIGGER	

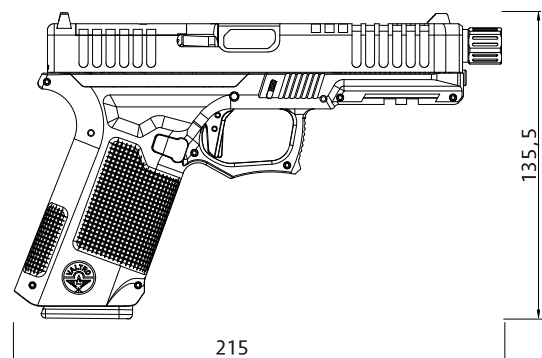
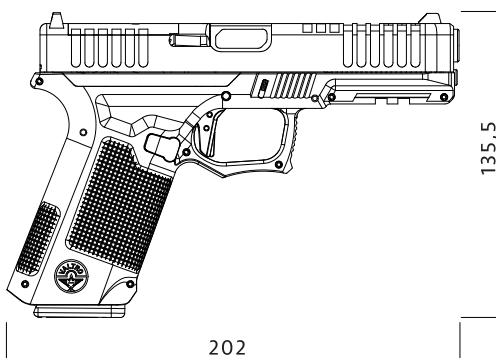




PF9ALU | THREADED BARREL - OPTIC READY



CALIBER	9X19 Luger / 9x21	ROUNDS	17+1
SLIDE	Silver or black finish	WEIGHT	870 gr
BARREL	127 mm / Gold TIN / Black Nitrox	WIDTH	32,2
FRAME	Aluminium alloy black finish		

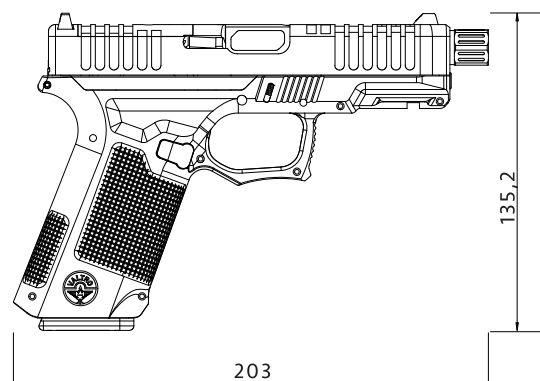
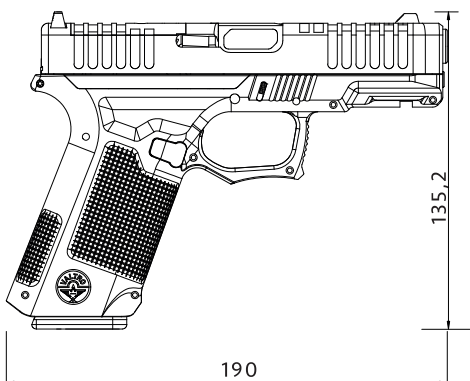




PX9ALU | THREADED BARREL - OPTIC READY



CALIBER	9X19 Luger / 9x21	ROUNDS	17+1
SLIDE	Black Nitrox	WEIGHT	810 gr
BARREL	Black Nitrox 102 mm/115 mm Threaded	WIDTH	32,2
FRAME	Polymer Green/Tan - Black/Grey		

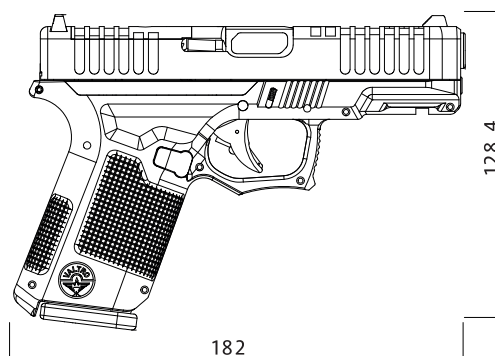




PC9COMPETITION | OPTIC READY



CALIBER	9X19 Luger / 9x21	ROUNDS	15+1
SLIDE	Silver or black finish	WEIGHT	860 gr
BARREL	102 mm / Gold TIN	WIDTH	32,2
FRAME	Aluminium alloy silver or black finish	COMPETITION TRIGGER	

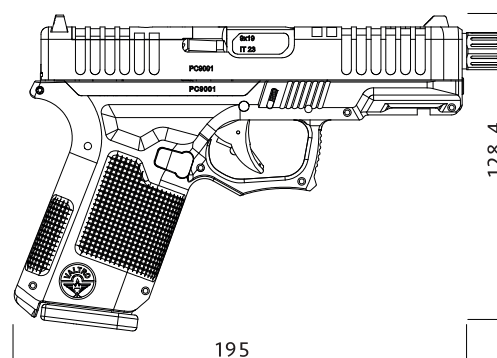
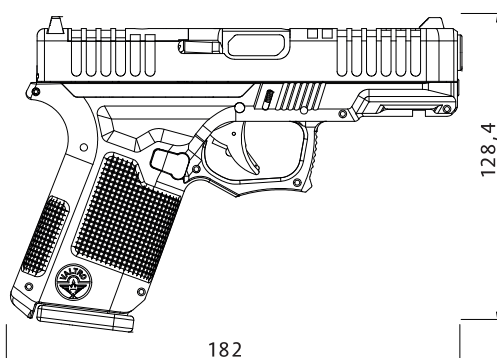




PC9ALU | OPERATOR - OPTIC READY



CALIBER	9X19 Luger / 9x21	ROUNDS	15+1
SLIDE	Black finish	WEIGHT	870 gr
BARREL	Black Nitrox 102 mm / 115 mm Threaded	WIDTH	32,2
FRAME	Aluminium alloy black finish	COMPETITION TRIGGER	







RIGID CHASSIS

Extended, rigid, embedded 42NiCrMo4 steel chassis reducing flex and torque when shooting.

TRIGGER GROUP



CHASSY



GRIP



® VALTRO ENGINEERING



ACCESSORIES

PF9 BARREL | VA17B
PC9/PX9 BARREL | VA19B

BLACK FINISH NITROX



GOLD FINISH TIN/PVD



COMPATIBLE G17/G19/G19X/GEN.3/4

FIRING PIN | PF9/PX9/PC9

VA49
TEMPERED STAINLESS STEEL



VA63



FIRING SPRING

RECOIL | SPRINGS GUIDE
TEMPERED STAINLESS STEEL

VA2457
MODEL PX9/PC9 (G19X/GEN.3)



VA1533
MODEL PF9 (G17 GEN.3)



RECOIL | SPRINGS

VA2457S
MODEL PX9/PC9 (G19X/GEN.3)



VA1533S
MODEL PF9 (G17 GEN.3)



STAINLESS STEEL
FIRING PIN SAFETY

VA84



TRIGGER
SPRING

VA350



IMPROVED EXTRACTOR DEPRESSOR PLUNGER
WITH SPRING

VA3449



COMPATIBLE G17/G19/G19X/GEN.3/4

COMPETITION TRIGGER
ALUMINIUM ALLOY



VA3607
TRIGGER
ADJUSTMENT

VA3608
TRIGGER
BAR

VA3606
TRIGGER
BACKLASH
ADJUSTMENT



VALTRO S.r.l.

Production Plant:
Via del Fabbro, 9
33013 Gemona del Friuli (UD)

Headquarter:
Via Caravaggio, 69
50028 Barberino Tavernelle (FI)

Tel. +39 055 0107480
info@valtrofirearms.com
commercial01@valtrofirearms.com

www.valtrofirearms.com

